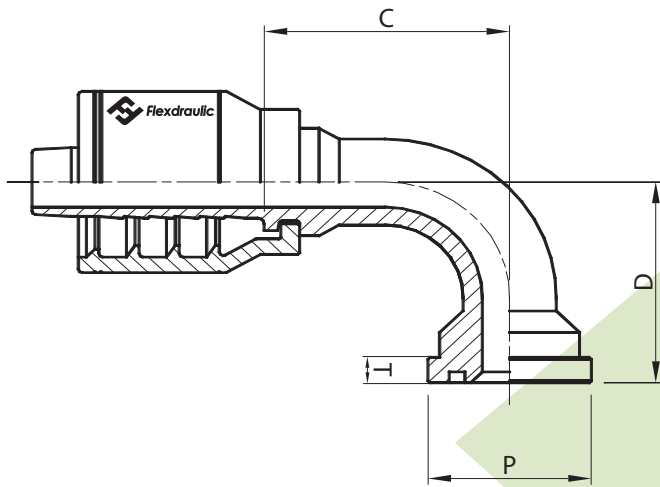


SAE Code 61

SAE Code 61 Flange - 90° Elbow



! O-Ring Available Separately
 (See O-ring table on this page)

Part #	Hose I.D.		Code 61 Flange		Cutoff (C)	Drop (D)	P	T
	Inch	Size	Size	Flange	Inch	Inch	Inch	Inch
A08-G71	1/2"	-08	08	1/2"	1.97"	1.77"	1.18"	0.265"
A08-G72	1/2"	-08	12	3/4"	1.95"	1.93"	1.50"	0.265"
A10-G72	5/8"	-10	12	3/4"	2.19"	2.17"	1.50"	0.265"
A12-G72	3/4"	-12	12	3/4"	2.45"	2.22"	1.50"	0.265"
A12-G76	3/4"	-12	16	1"	2.40"	2.34"	1.75"	0.315"
A16-G76	1"	-16	16	1"	2.74"	2.40"	1.75"	0.315"
A16-G80	1"	-16	20	1 1/4"	2.93"	2.68"	2.00"	0.315"

One Piece Bite The Wire



O-Rings For Code 61 Flanges	
For Code 61 Flange Size	Part #
08	3021090
12	3021490
16	3021990
20	3022290